

# SSE232-LE Quick Start Guide

## Serial Server

### 1. Introduction

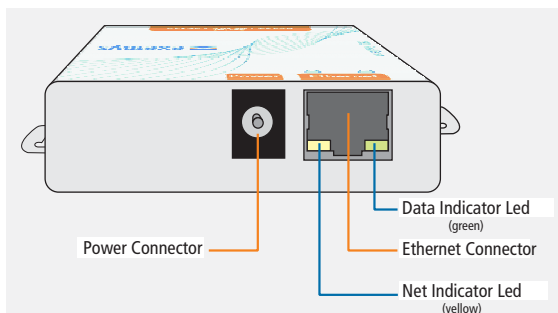
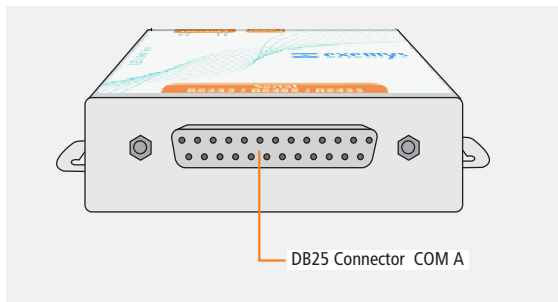
This quick guide will lead you step by step through the most important aspects of SSE232-LE installation. It is intended to system administrators that are familiar with operating systems or other Exemys products.

#### IMPORTANT.

You will find a detailed description for SSE232-LE installation and configuration in the User's Manual that is distributed together with this product in the CD .

The power input connection is done in the connector indicated in the figure.

You may connect 9-30VDC or 9-26VAC (without polarity) The network connection is made through the Ethernet connector (see figure). Use a crossover network cable if the connection is made directly to a PC.



Front and Rear View

### 2. Configuration

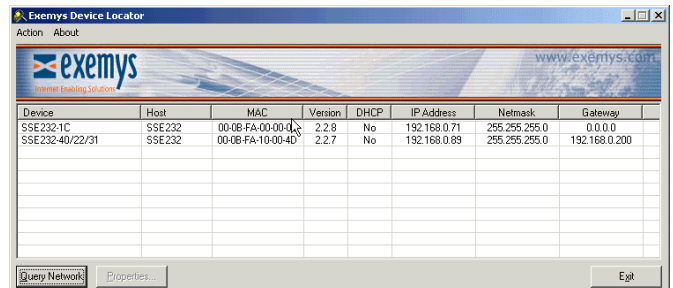
#### NOTE.

If you do not have a PC in the Network running Windows 95/98/NT-2000 , you will find an alternative method to configure the network basic parameters in the User's Manual.

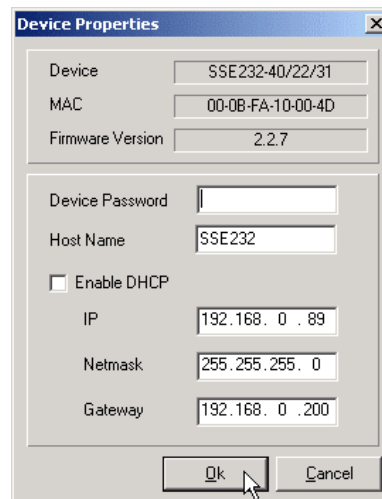
To configure SSE232-LE you will need an IP address to be assigned to the SSE232-LE or a DHCP server in the network. Follow the next steps to configure SSE232-LE:

- Connect SSE232-LE to the Ethernet network.
- Connect SSE232-LE to the power and turn it on.
- Execute the Program "Exemys Device Locator" from a PC within the same network. You will find this program in the

CD that is distributed together with this product. SSE232-LE will appear in the list of devices found in the network.



Device	Host	MAC	Version	DHCP	IP Address	Netmask	Gateway
SSE232-1C	SSE232	00-0B-FA-00-00-4D	2.2.8	No	192.168.0.71	255.255.255.0	0.0.0.0
SSE232-40/22/31	SSE232	00-0B-FA-10-00-4D	2.2.7	No	192.168.0.89	255.255.255.0	192.168.0.200



Device Properties

Device: SSE232-40/22/31  
MAC: 00-0B-FA-10-00-4D  
Firmware Version: 2.2.7

Device Password:   
Host Name: SSE232  
 Enable DHCP

IP: 192.168.0.89  
Netmask: 255.255.255.0  
Gateway: 192.168.0.200

Ok Cancel

- Double-click on SSE232-LE in the list or press "Properties".
- If your Network has a DHCP server, select "Use DHCP" and click Ok.
- If your network does not have a DHCP server, you must complete manually the network parameters.

- In the Properties dialog box type:
  - IP Address
  - Netmask
  - Gateway.
- Then click Ok.

SSE232-LE will reset to accept the configuration changes made. After a few seconds, if the yellow led of the network connector (see figure) blinks, being dark most of the time, and lightened only for a short instant, it means that SSE232-LE accepted the configuration and reset correctly.

#### NOTE.

SSE232-LE does not provide a default password for remote configuration. If this is the first time you configure SSE232-LE, do not type a password in the Properties dialog box. You will be able to change this password later on by following the instructions contained in the User's Manual.

- To enter to the SSE232-LE configuration web page use a web browser that allows Javascript. By typing SSE232-LE 's IP Address in the "address" field of your browser, you will access SSE232-LE configuration web page.