

INDUSTRIAL DC-DC POWER SUPPLIES

DCEX

User Manual



www.exemys.com

ISO 9001:2000 Certification



The Exemys products are in permanent evolution. For this reason their specifications and capabilities are subject to change without previous notice.

Please find updated information at www.exemys.com

Copyright © Exemys, 2008. All Rights Reserved.
Rev. 1.0.0 – December 2008

Contents

1	Introduction	4
1.1	Purpose of this Manual	4
1.2	General Description of the Product.....	4
2	Wiring	5
2.1	General Wiring.....	5
2.2	Wiring for POSITIVE power supplies	6
2.3	Wiring for NEGATIVE power supplies	6
3	Order Codes	6

1 Introduction

1.1 Purpose of this Manual

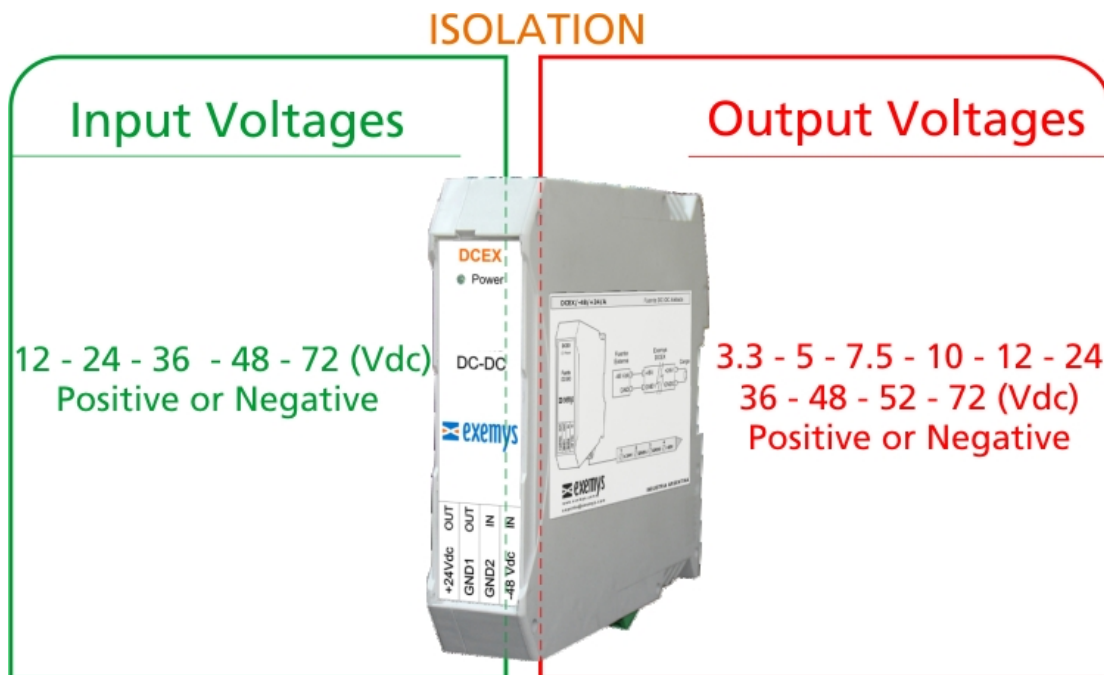
The purpose of this manual is to provide the instructions to quickly and simply install and operate the DC-DC industrial power supplies model DCEX. The manual begins with a general description of the product followed by the instructions for the correct installation of the hardware. Its configuration and installation are detailed later.

1.2 General Description of the Product

The DCEX is a DC-DC power supply that converts an input voltage and current into another voltage and current at its output, with the main characteristic of galvanically insulating the input from the output.

The main features of the equipment are:

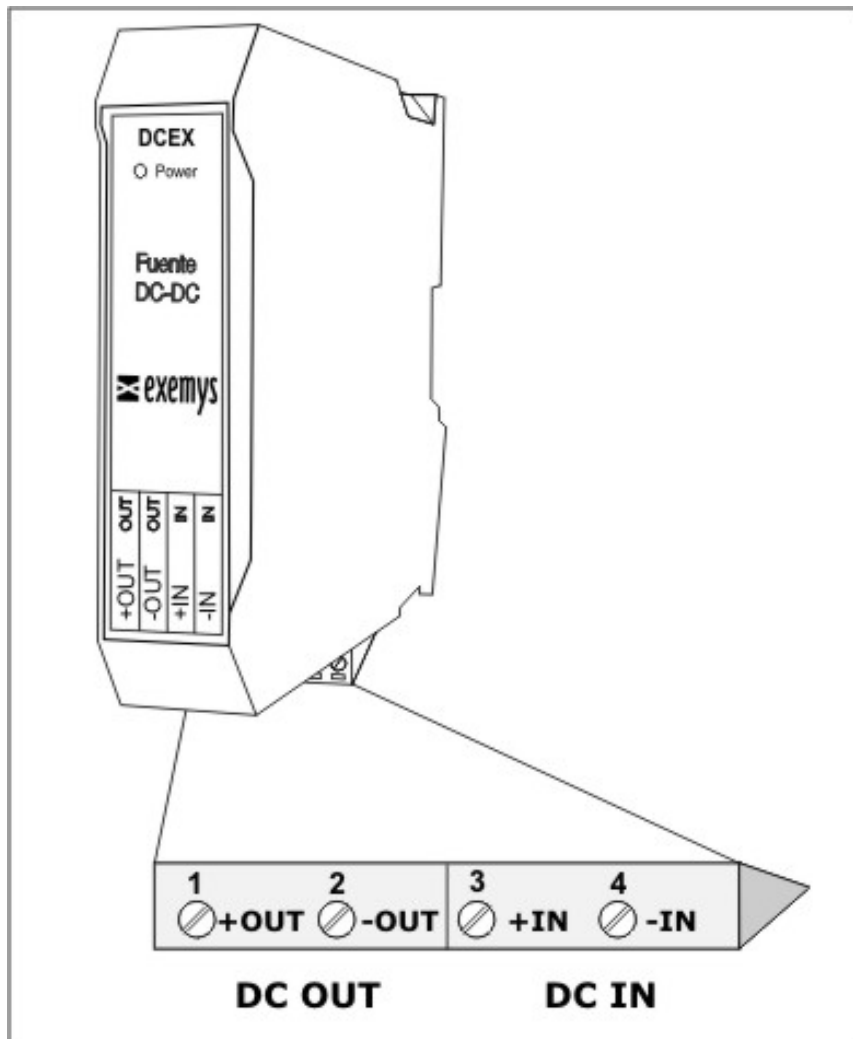
- 3000 Vrms of insulation between input and output.
- A choice of multiple voltages for input and output.
- 25 Watts output power.
- Fireproof industrial cabinet
- Operation temperature from -10°C to +100°C
- Protection against output over-voltage and low input voltage cut-off feature.



2 Wiring

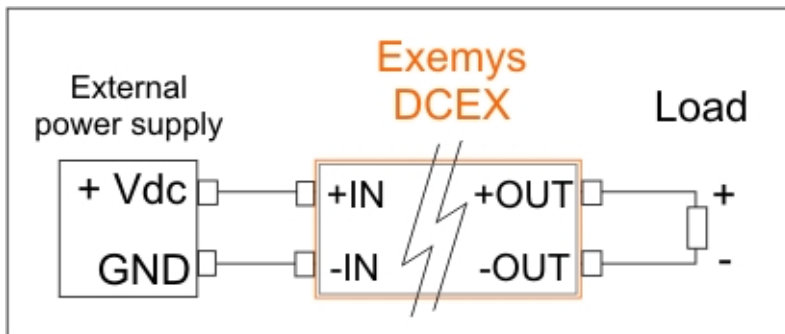
2.1 General Wiring

DCEX wiring is very simple. In a single removable terminal board you find on one side the two input terminals and on the other side the two output terminals..



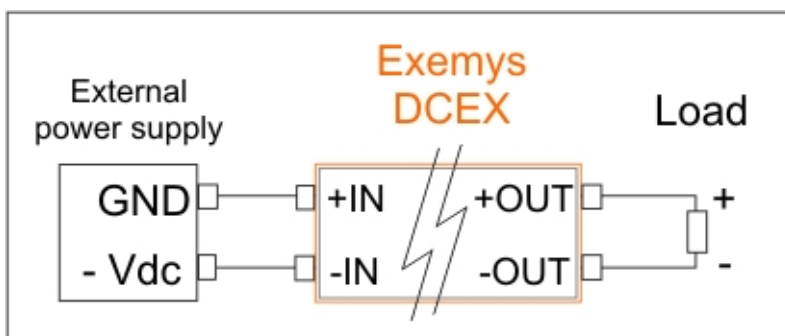
2.2 Wiring for POSITIVE power supplies

The following diagram shows the connection when the voltage source of the input is positive with respect to ground GND.



2.3 Wiring for NEGATIVE power supplies

The following diagram shows the connection when the voltage source of the input is positive with respect to ground.



3 Order Codes

The following figure shows the coding for the different models of the DCEX family.

